



Technical Support

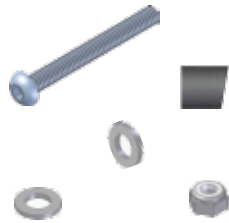


www.scottoiler.com technical@scottoiler.com +44(0)141 955 1100

SA-0615 BMW F800 R (2009-) eSystem adapter

Parts List:

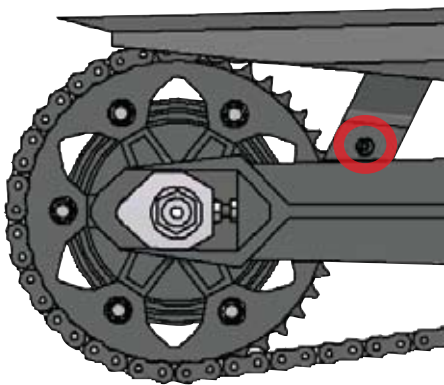
- M6 x 50 screw
- M6 washer (x2)
- M6 BMW spacer
- M6 Nyloc nut



The parts enclosed allow an eSystem to be fitted on the BMW F800R making use of the same bespoke dispenser found in the vacuum operated Scottoil F800R kit.

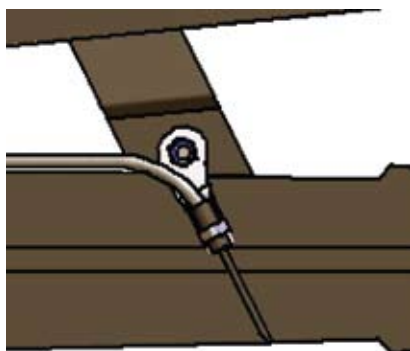
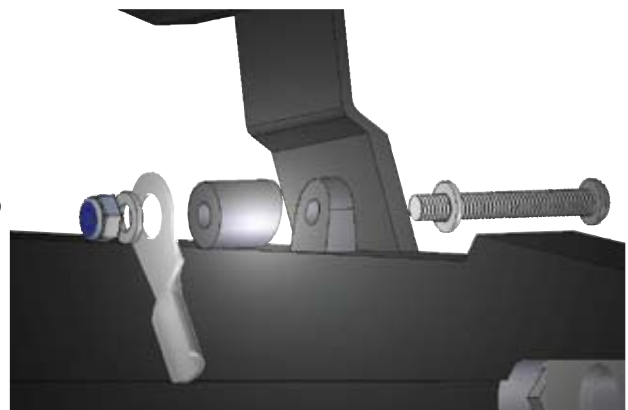
For model specific install guides with photographs see: www.scottoiler.com

Dispenser Assembly



1. Remove the rear chain guard mounting bolt using a T30 Torx wrench, it is not necessary to remove the chain guard itself.

2. Using the M6 x 50 screw and one of the M6 washers, screw the chain guard into place. Fit the BMW spacer (part 15) then Dispenser Plate (part 16) followed by the M6 washer and nyloc nut (part 13) see section 4 for nib position before tightening to secure.



3. Secure the Dispenser Assembly (part 14) to the Dispenser Plate (part 16) by clamping around the black nylon sleeve using the Dispenser Plate Clip (part 17).

4. Position the nib between 3 & 4 o'clock on the outside face of the rear sprocket with the slash cut facing away from the sprocket, taking care to avoid the sprocket bolts.

