



Technical Support



www.scottoiler.com technical@scottoiler.com +44(0)141 955 1100

SA-0610 BMW F650 & F800 GS (2008-) eSystem adapter

Parts List:

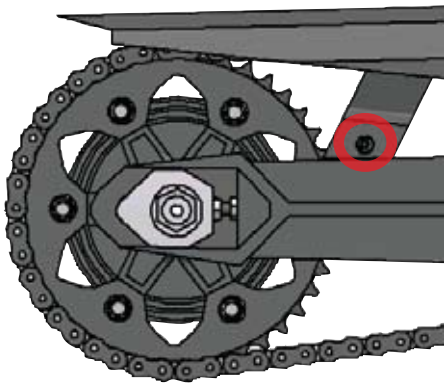
M6 x 25 screw
M6 washer
M6 Nyloc nut



The parts enclosed allow an eSystem to be fitted on the BMW F650 & F800 GS twins making use of the same bespoke dispenser found in the vacuum operated Scottoil BMW GS kit.

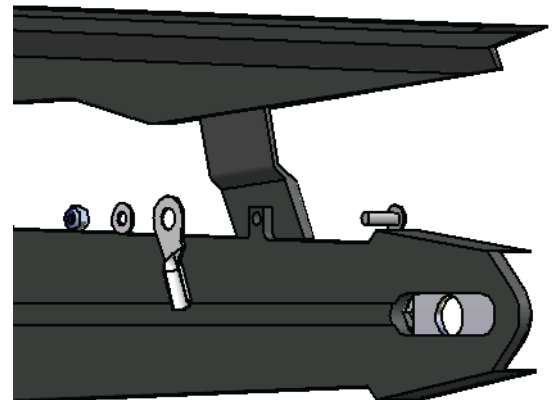
For model specific install guides with photographs see: www.scottoiler.com

Dispenser Assembly

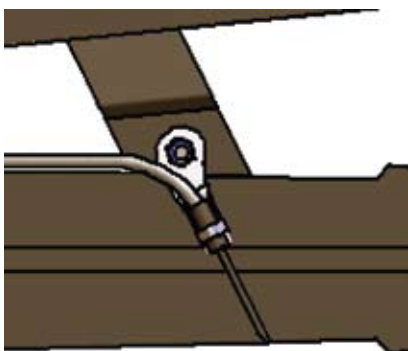


1. Remove the rear chain guard mounting bolt using a T30 Torx wrench, it is not necessary to remove the chain guard itself.

2. Using the M6 x 25 screw, screw the chain guard into place. Fit the Dispenser Plate followed by the M6 washer and nyloc nut see section 4 for nib position before tightening to secure.



3. Secure the Dispenser Assembly to the Dispenser Plate by clamping around the black nylon sleeve using the Dispenser Plate Clip.



4. Position the nib between 3 & 4 o'clock on the outside face of the rear sprocket with the slash cut facing away from the sprocket, taking care to avoid the sprocket bolts.

